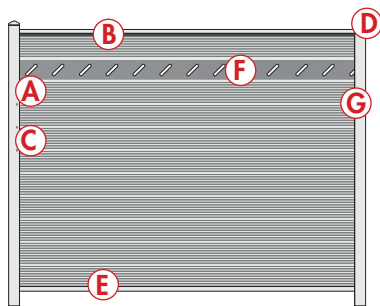


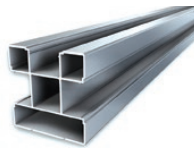
Installation Instructions

UPM ProFi® Fence

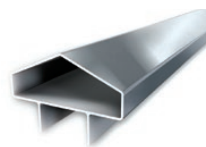
UPM ProFi Fence:



A POST
70x70x1900mm



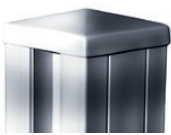
B UPPER COVER STRIP
40x60x1930mm



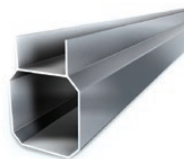
C LATERAL COVER STRIP
8x30x1900mm



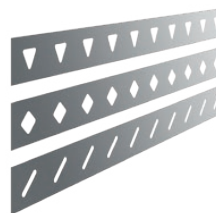
D CAP
70x70mm



E LOWER COVER STRIP
40x55x1930mm



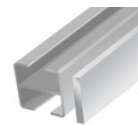
F DESIGN ELEMENT*
3x160x1950mm



G CONNECTORS

For UPM ProFi Deck boards*

16x18x1930mm



For UPM ProFi Piazza/Lifecycle boards

4x17x1930mm

*(OPTION: UPM ProFi ALU RAIL)

H ANGLE CONNECTOR



I SCREWS

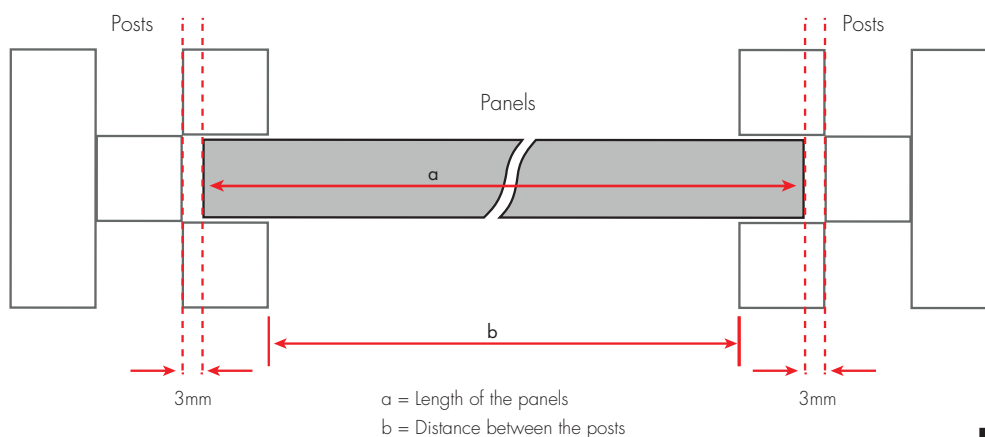


General notice:

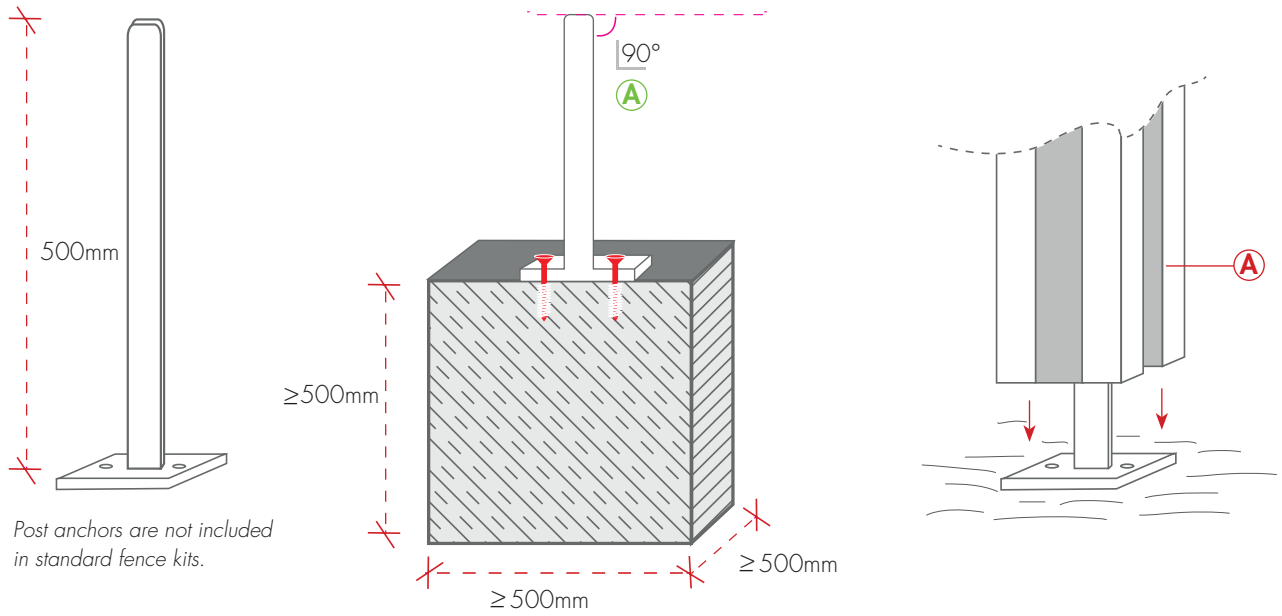
For further information, e.g. the statics and maximum wind loads, please follow the instructions on www.upmprofi.com

Distance between the posts/length of elements $b_{max.} = 1930mm$

$a = b + 30mm$



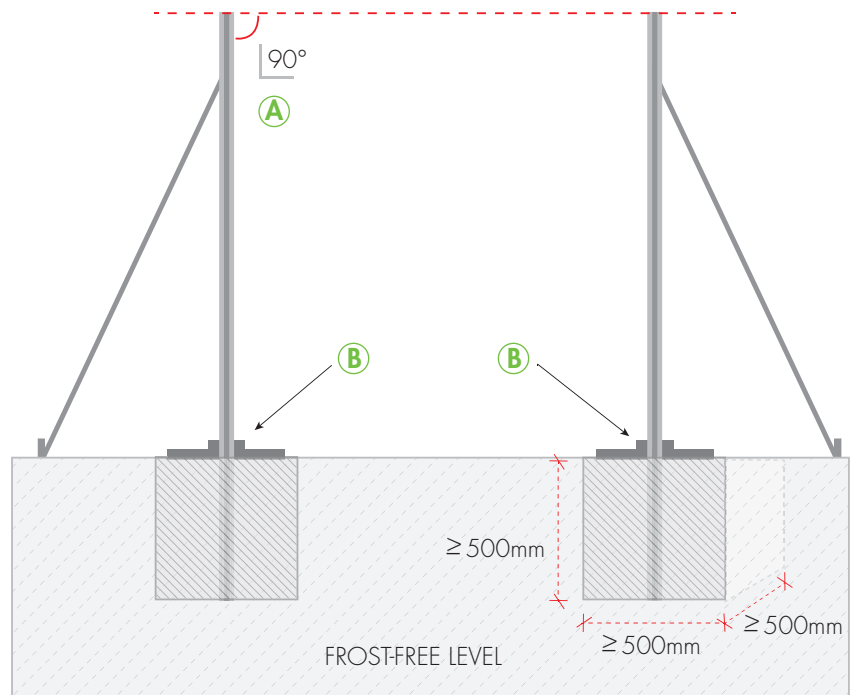
Post mounting screw plate:



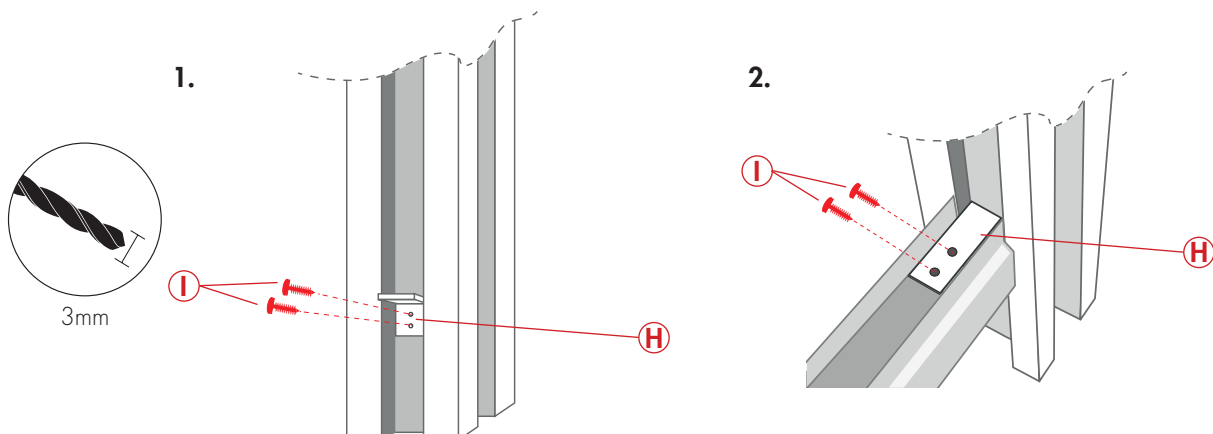
OPTION: Embedding posts* in concrete:

- A Check for vertical alignment
- B Fix to the ground using squared timber and screw clamps before pouring the concrete into the foundations.

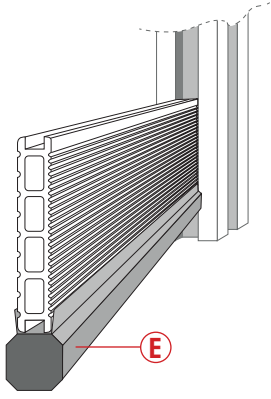
* (70x70x2400mm posts available on request)



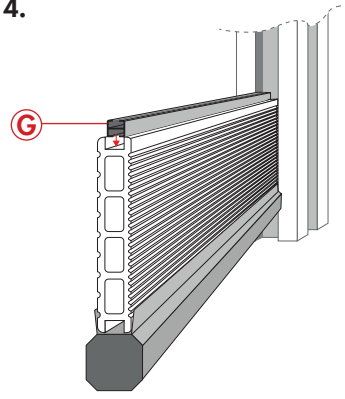
Final installation:



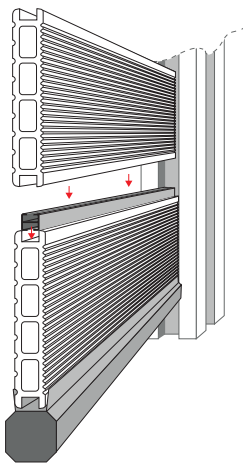
3.



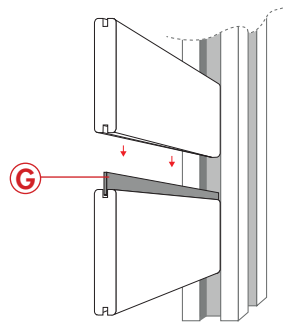
4.



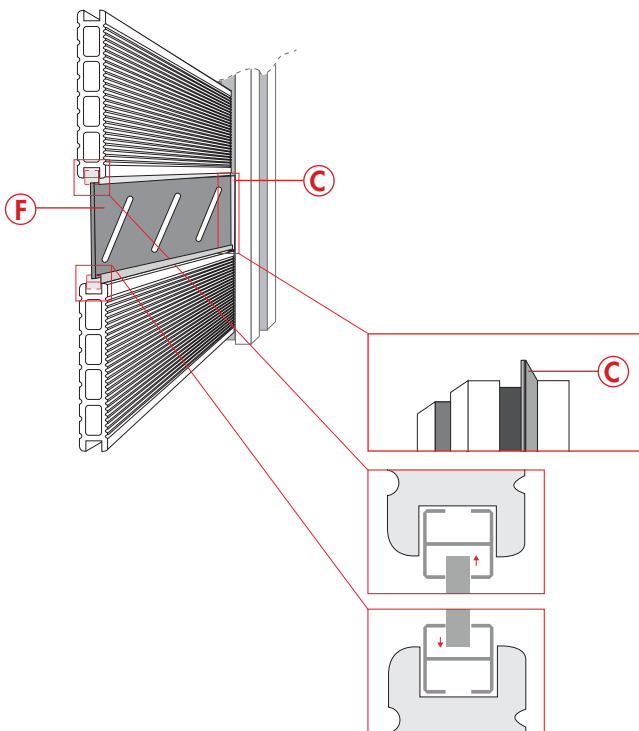
5a.



5b.



6a.



6b.

