

ADDITIONAL  
INFORMATION

[www.upmprofi.com](http://www.upmprofi.com)

[www.upmprofi.de](http://www.upmprofi.de)

[www.upmprofi.dk](http://www.upmprofi.dk)

[www.upmprofi.fi](http://www.upmprofi.fi)

[www.upmprofi.fr](http://www.upmprofi.fr)

[www.upmprofi.nl](http://www.upmprofi.nl)

[www.upmprofi.se](http://www.upmprofi.se)

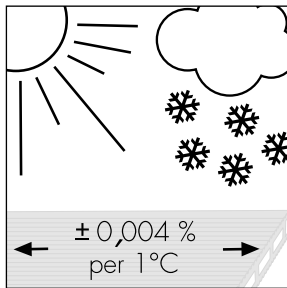
# UPM ProFi®

UPM ProFi Piazza, UPM ProFi Deck 150, UPM ProFi Terra 127

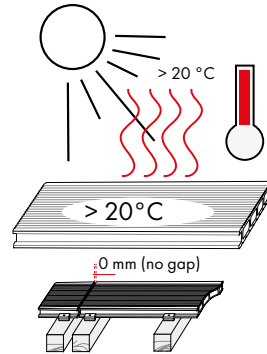
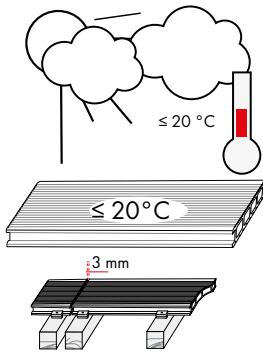
Installation Instructions/Verlegeanweisung/  
Instructions de montage/Installatie-instructies/Asennusohje/Installationsanvisningar



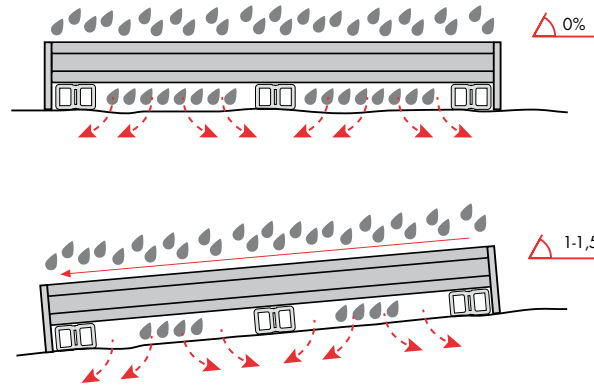
## THERMAL EXPANSION



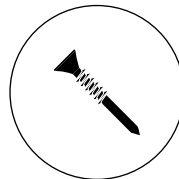
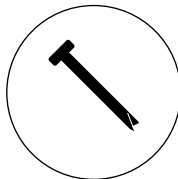
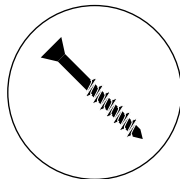
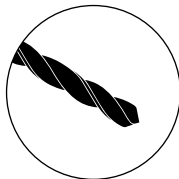
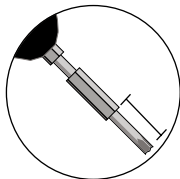
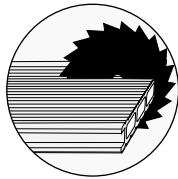
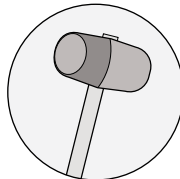
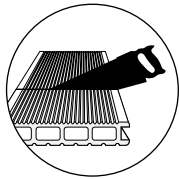
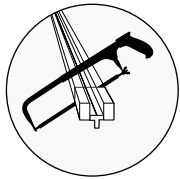
e.g. 40° C change in temperature = 6 mm expansion/contraction in 4 m board



## INCLINATION



## TOOLS



min. 25 mm

4 mm

4x40 mm

(for Alu Support Rail)

(for direct fixing on Alu Support Rail)



LOW MAINTENANCE



DURABLE & UV RESISTANT



HARD WEARING



0% INCLINATION

Δ0%



SPLINTER FREE & WARM TO TOUCH



HIGH FRICTION SURFACE



QUICK TO INSTALL



EASY TO WORK



HELPING THE ENVIRONMENT

>50%

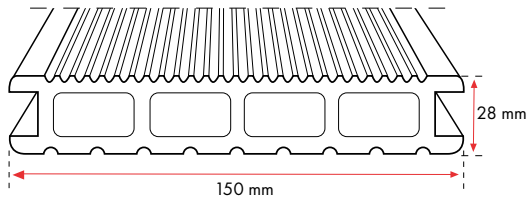


Advanced recycled raw material

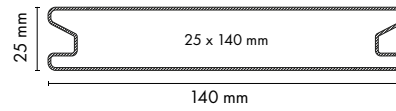


# MEASURES

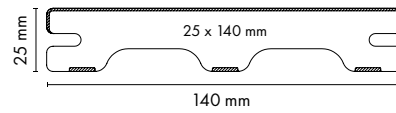
UPM ProFi Deck 150



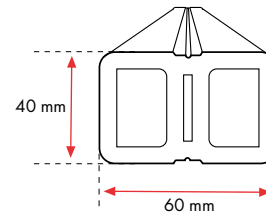
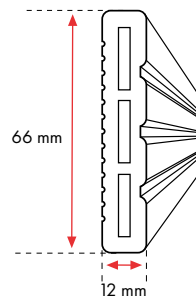
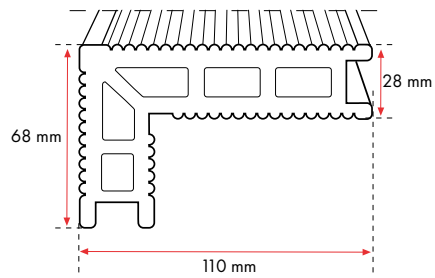
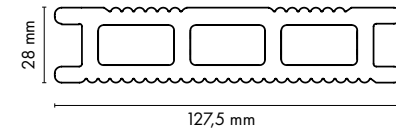
UPM ProFi Piazza Pro



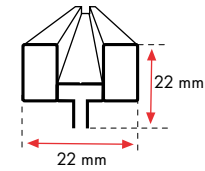
UPM ProFi Piazza One



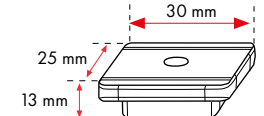
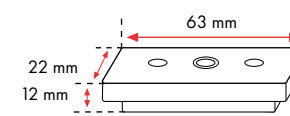
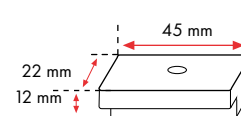
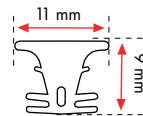
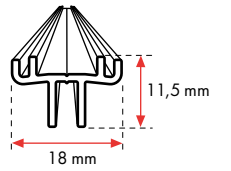
UPM ProFi Terra 127



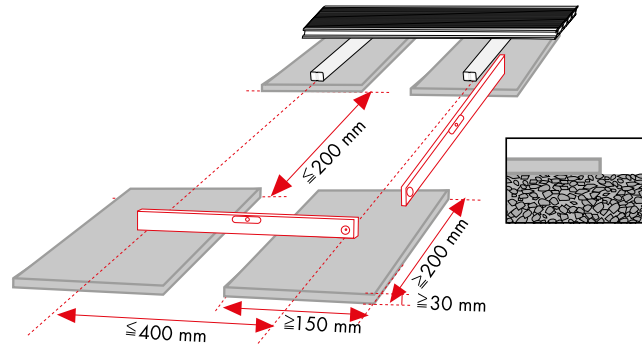
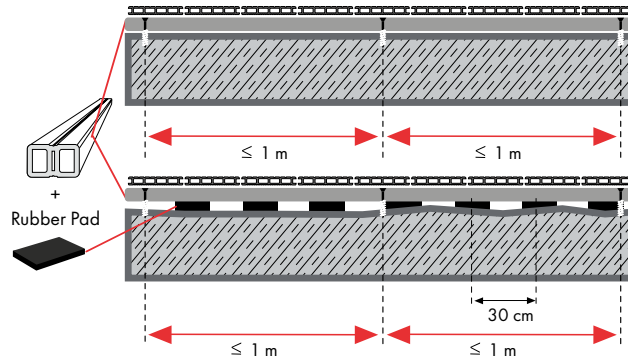
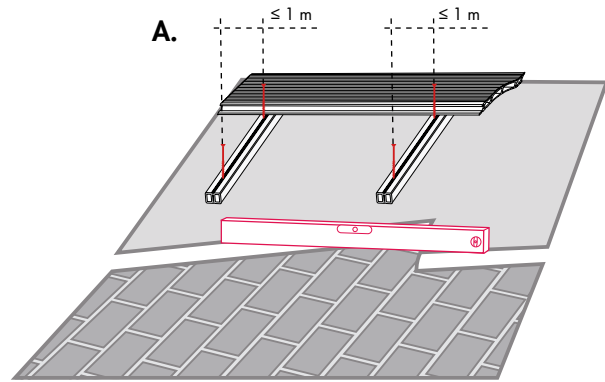
Alu Rail for Deck 150



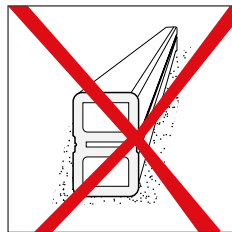
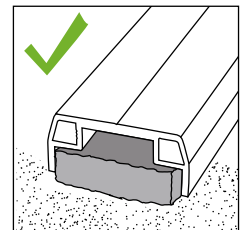
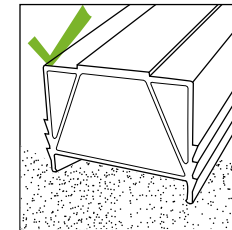
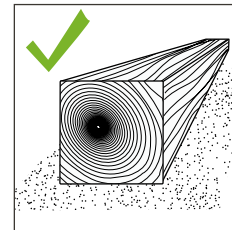
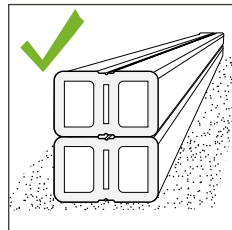
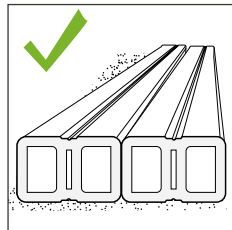
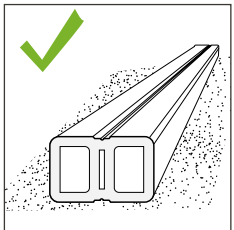
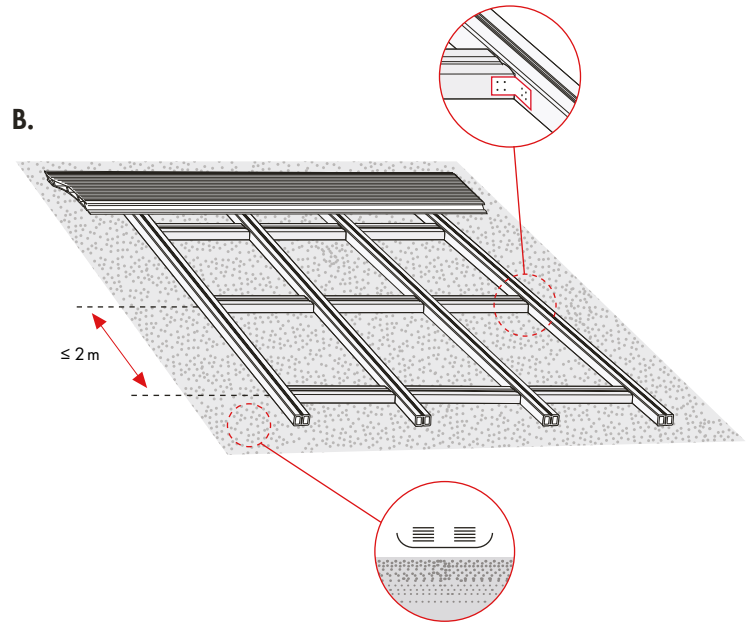
Alu Rail for Piazza One



GROUND



**B.**



Roof Terrace: **Ins**

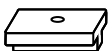


A

# CLIPS

Scr

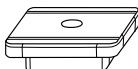
T-CLIP Small



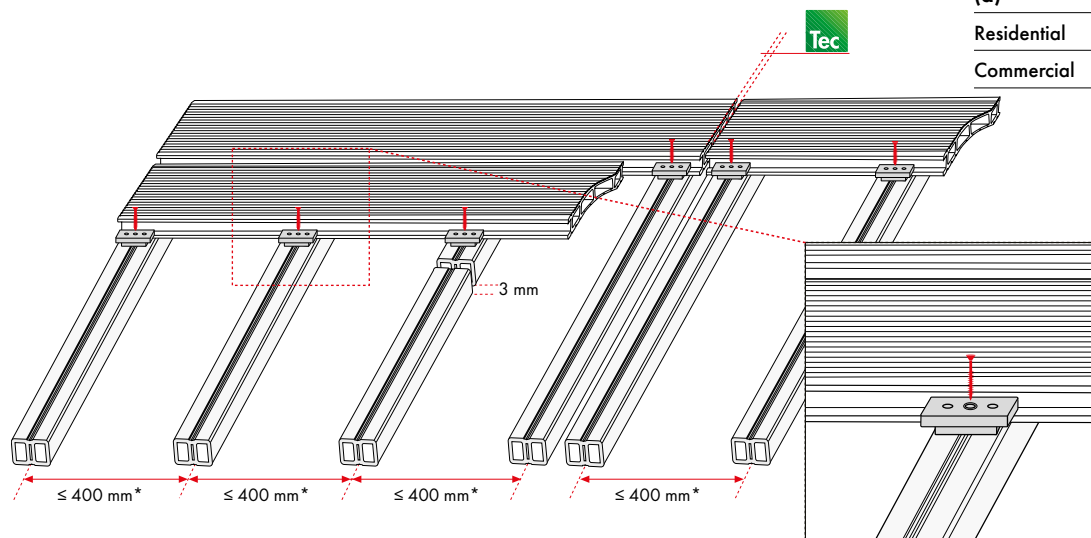
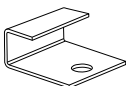
T-CLIP Large



WING CLIP

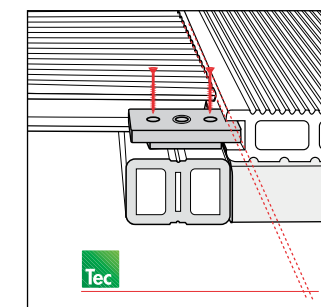
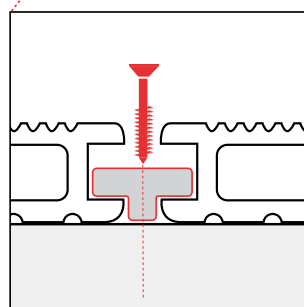
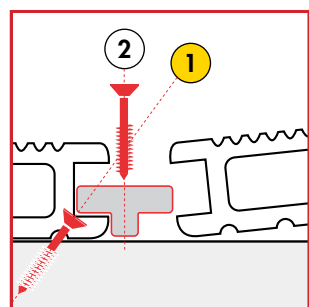
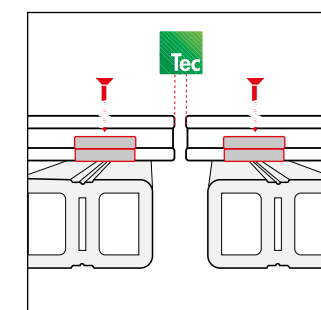
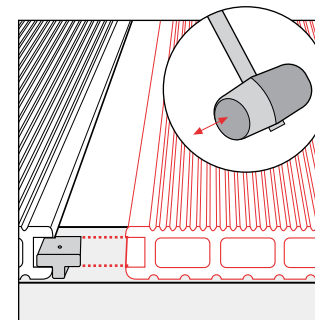
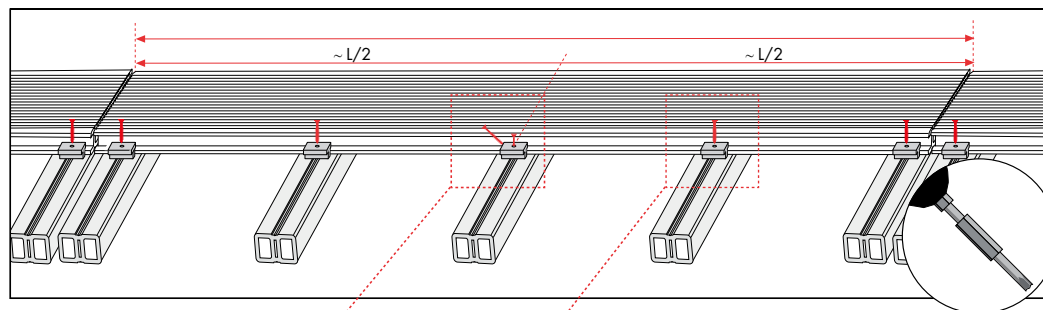
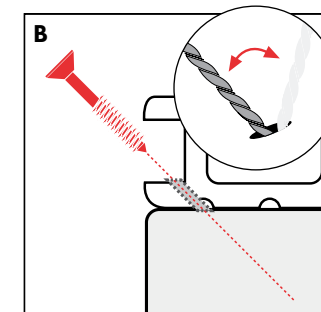
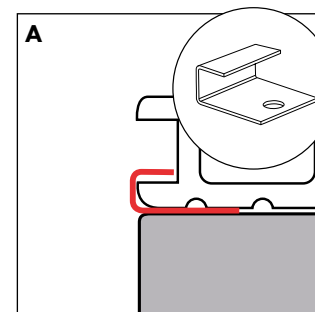


START CLIP



## \*JOIST SPACING (a)

	ProFi Deck 150	Terra 127	Piazza Pro	Piazza One
Residential	40 cm	35 cm	40 cm	35 cm
Commercial	40 cm	-	30 cm	-



! 1 x in the middle of each board

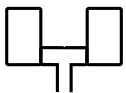


B

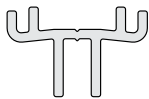
# ALU RAIL

Scr

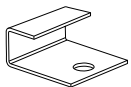
ALU RAIL FOR DECK 150



ALU RAIL FOR PIAZZA ONE

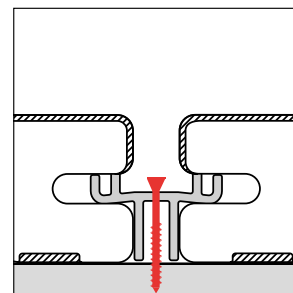
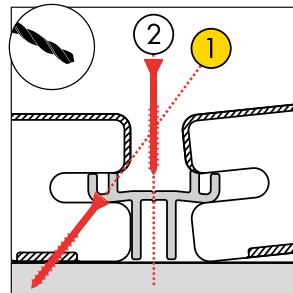
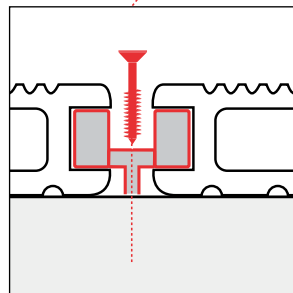
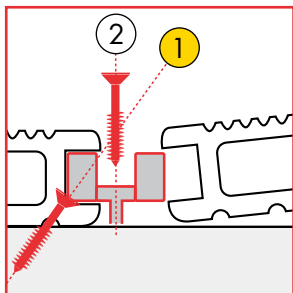
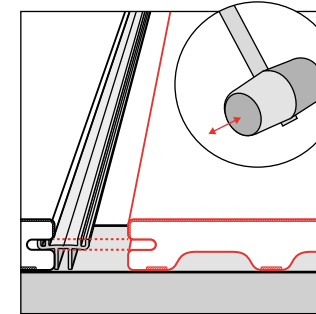
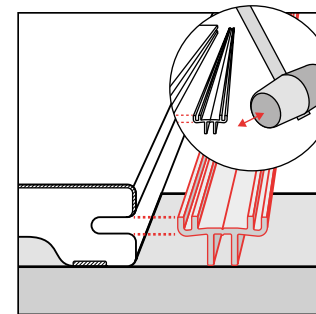
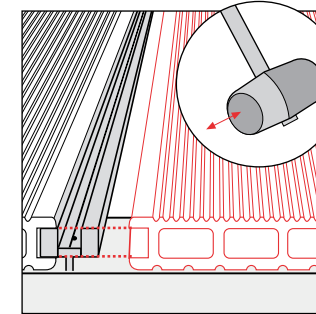
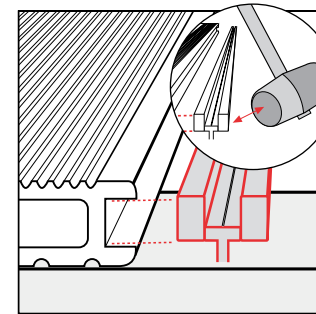
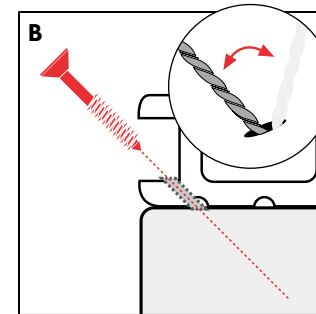
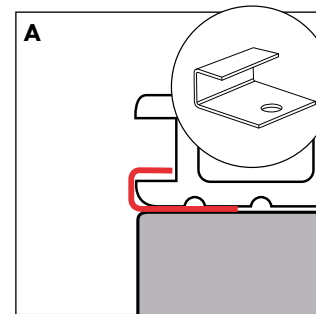
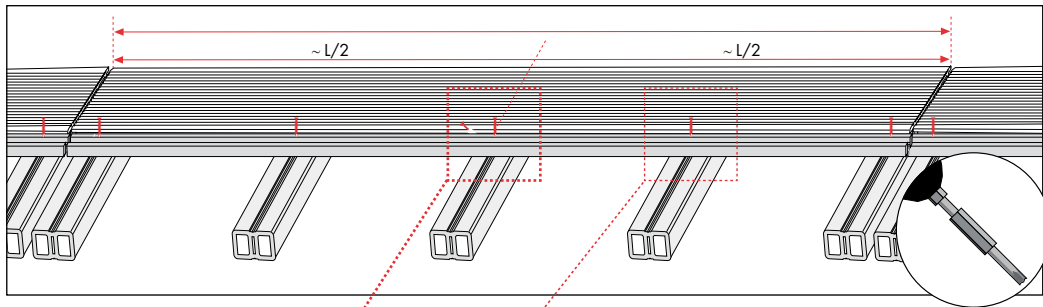
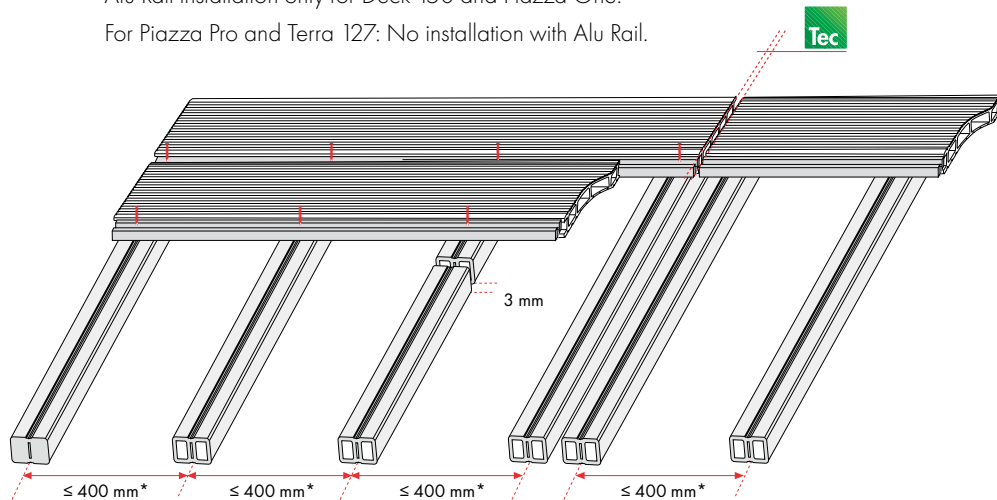


START CLIP

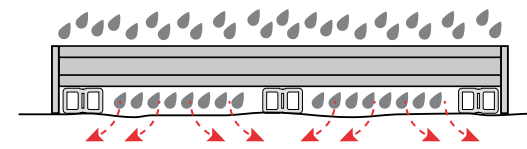


### Hint:

Alu Rail installation only for Deck 150 and Piazza One.  
For Piazza Pro and Terra 127: No installation with Alu Rail.



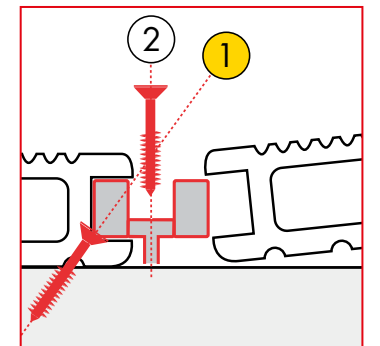
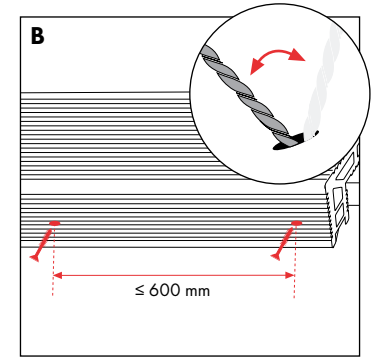
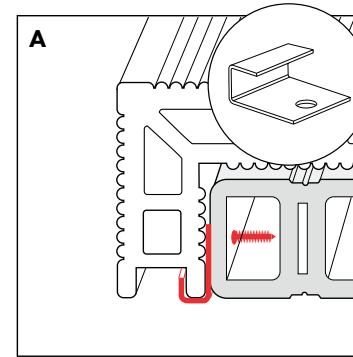
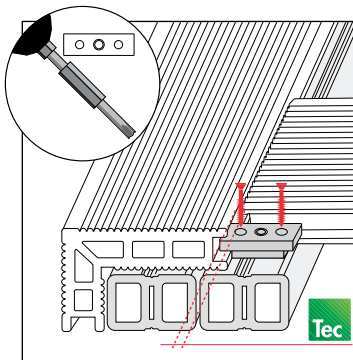
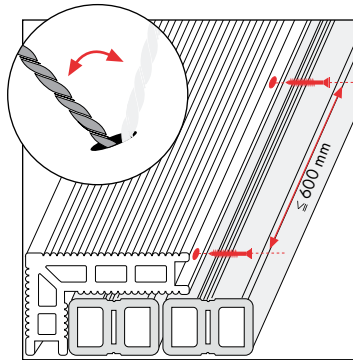
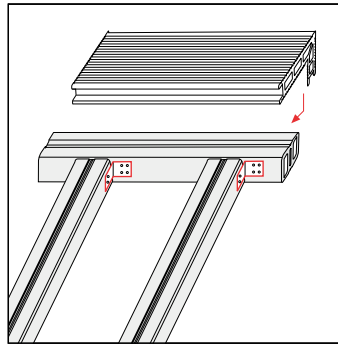
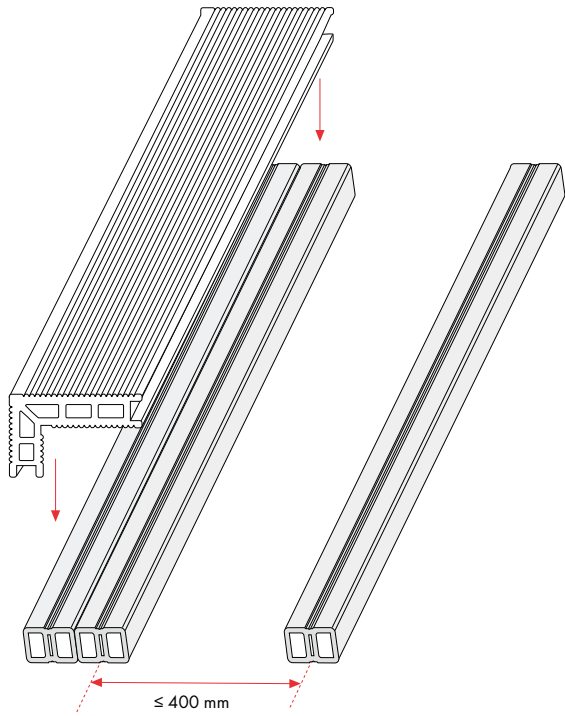
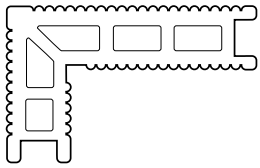
VENTILATION



! 1 x in the middle of each board



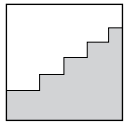
FINISHING UPM PROFI RAIL STEP  
UPM PROFI DECK 150



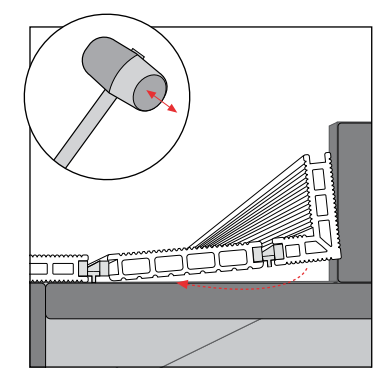
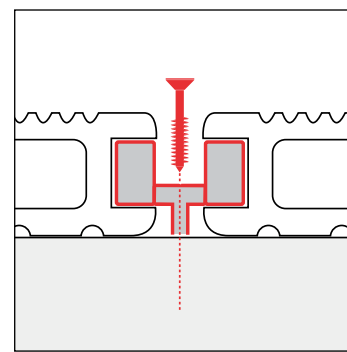
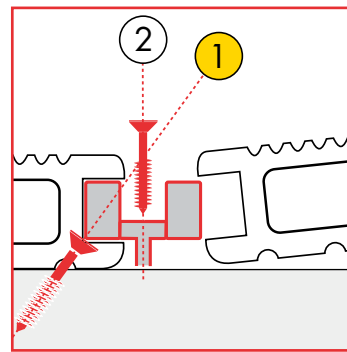
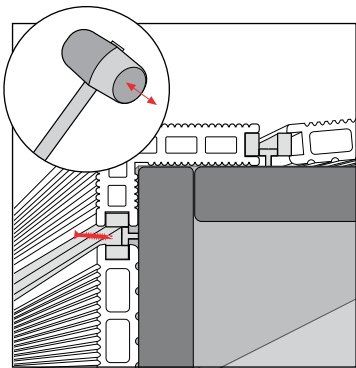
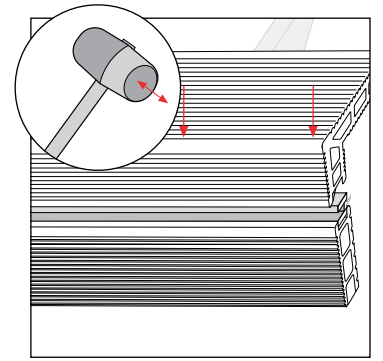
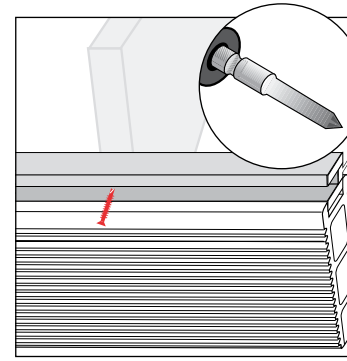
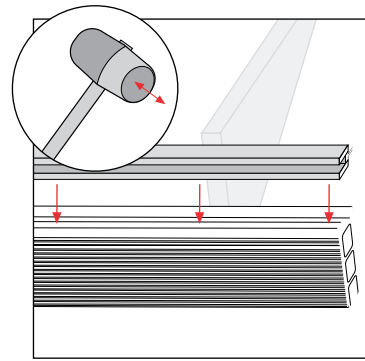
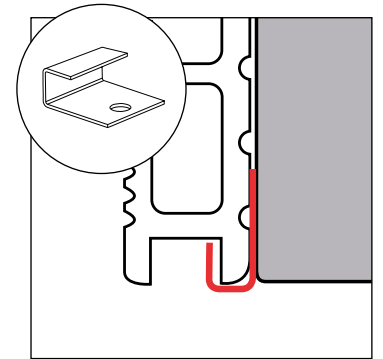
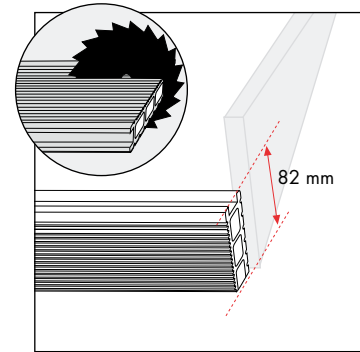
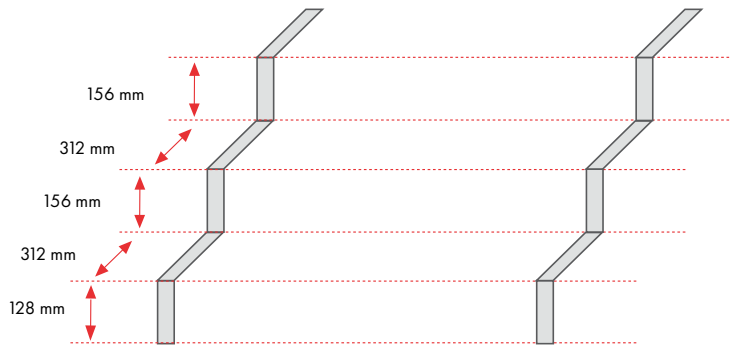
! 1 1x in the middle of each Rail Step



# UPM PROFI DECK 150 STAIRS



Scr

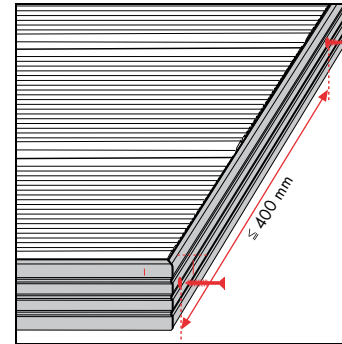
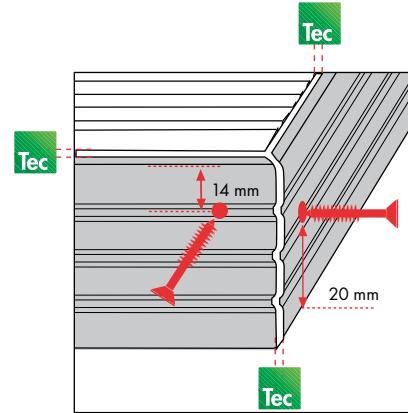
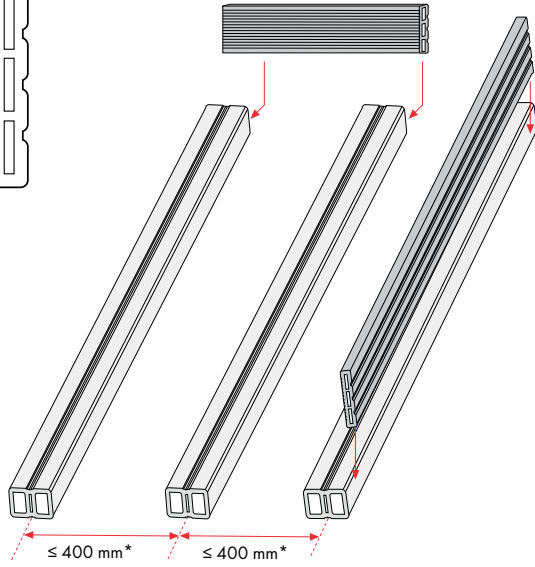
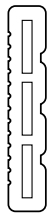


**!** 1 x in the middle of each board

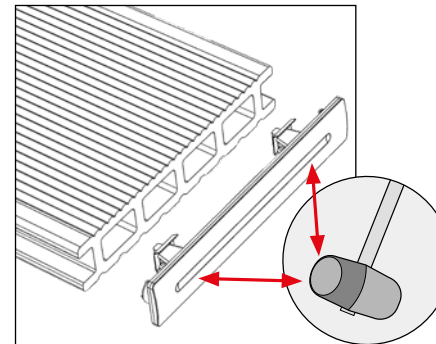




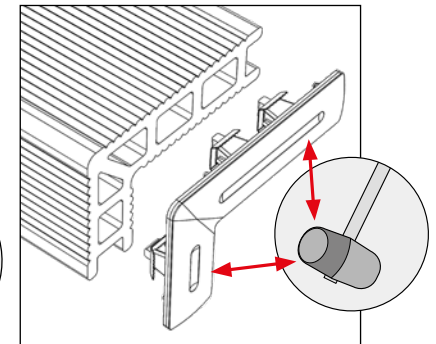
FINISHING  
COVER STRIP



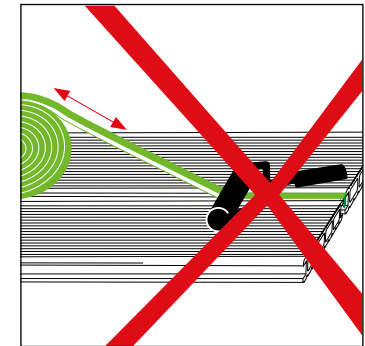
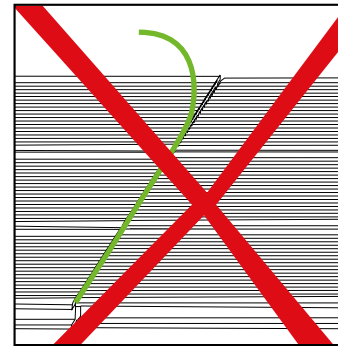
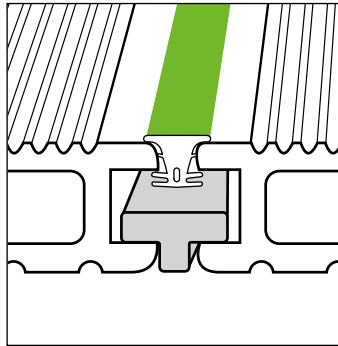
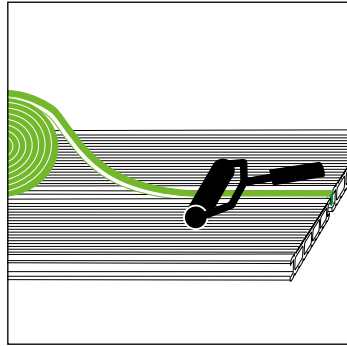
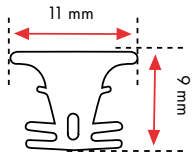
UPM PROFI DECK 150  
END CAP



UPM PROFI DECK 150  
RAIL STEP END CAP



# RUBBER STRIP



UPM Kymmene Corporation reserves the right to change and amend the information contained in this brochure at any time. The information contained in this document was correct at time of publication. For the most update version, please visit [www.upmprof.com](http://www.upmprof.com)