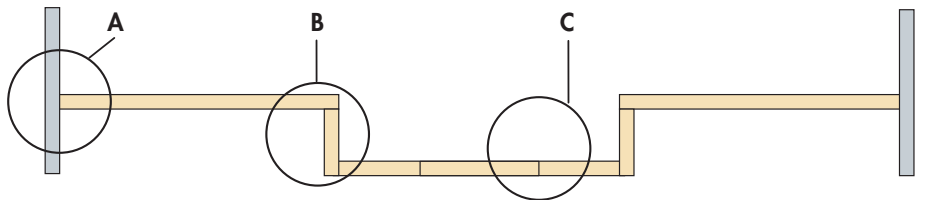


WISA® Bus Floor Installation

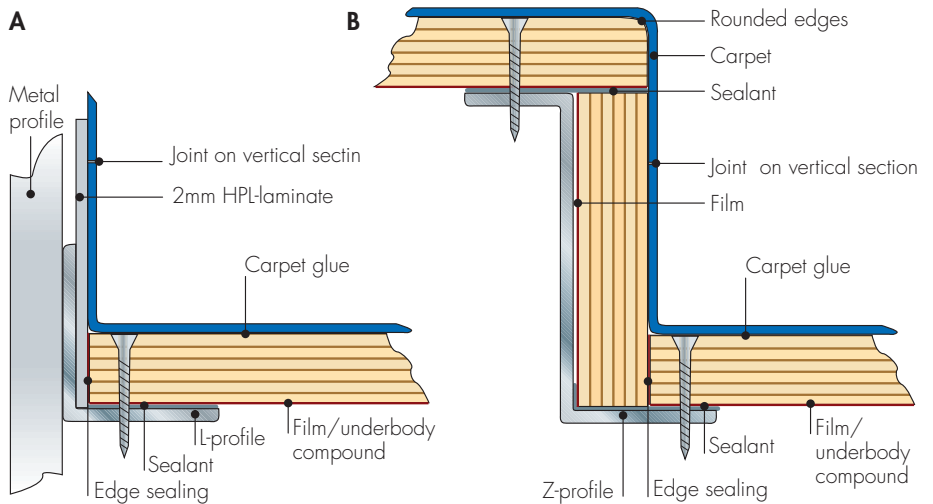
Sustainable WISA plywood is an excellent choice for bus flooring applications. Being made of hard, dense grained birch or spruce, the panels are stable, rigid and ecological in use. A wide product and size range helps to find the most suitable panel for diverse requirements in bus flooring. Correct installation method ensures the performance and improves the service life of the panels.

Bus floor profile



Drawings A and B

All lead-ins should be sealed with sealant. Carpet material should be jointed only on walls (vertical section) and always as high as possible, no joints in corners of the floor or aisle. The used carpet material must be suitable to be tightly bent (filling material content). The corner of the floor panel should be rounded in order to help bending of the carpet properly and to get a compact edge.



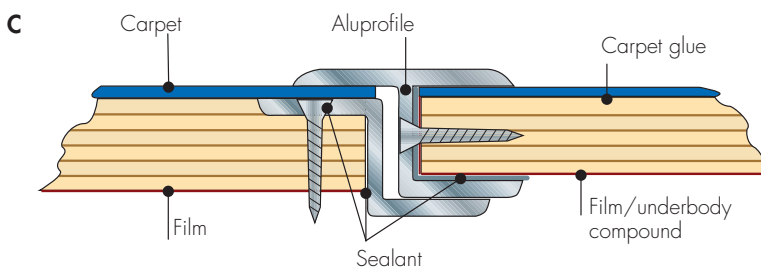
*Horizontal metal profile supports not shown in the image.



Drawing C

Trapdoors of the bus floor should be precisely fitted into profiles. The profiles should be filled in with sealant. All machined plywood pieces should be edge sealed properly before installation.

Trap door for bus floor



Key features

All WISA plywoods, which are especially designed for bus industry, fulfil the requirements of the directive E17 118RII applied in horizontal direction. Wide WISA product range includes both coated and uncoated panels. Coating prevents moisture penetration into the panels. Superior range of sizes available.

- WISA-Spruce:** a versatile and light-weight panel, throughout spruce construction.
- WISA-Birch:** strong throughout birch construction panel with a hard surface.
- WISA-BusFloor:** combination of light-weight and hard surface panel with excellent strength to weight ratio designed especially for bus industry.
- WISA-Phon N:** plywood based composite panel with rubber core to enable excellent sound absorbing properties.

For further detailed product information please see product fact sheets at www.wisaplywood.com.



UPM Plywood

Niemenkatu 16
P.O. Box 203
FI-15141 Lahti
Finland
Tel. +358 204 15 113
Fax +358 204 15 112

www.wisaplywood.com
www.upm.com

UPM policy is one of continuous development. We reserve the right to amend specifications without notice or obligation.